




Z-VentBLU[®]

Dimensional Data

The icon for Z-VentBLU shows a chimney with a grey top and a black base, positioned to the right of the main title.

Z-VentBLU® Single Wall

Eccentric Increaser	1
Horizontal Drain	1
Vertical Drain Tee with Cap	2
Drain Horizontal / Vertical	2
Pipe	3
Pipe Adjustable	3
Pipe with Test Port	4
Elbow 45°	4
Elbow 90°	5
Rain Cap Band Extreme	5
Termination Tee	6
Termination Box	6
Termination Hood	7
Termination Screen	7

Z-VENT® Single Wall & Double Wall

Flashing Flat	8
Flashing 0-30°	8
Flashing 30-40°	9
Storm Collar (Top Support)	9
Guy Band	10
(Wall) Trim Ring	10
Wall Thimble	11
Firestop	12
Firestop Support	12
Wall (Vent) Support	13
Z-VentBLU® Warranty	14

NOTES:

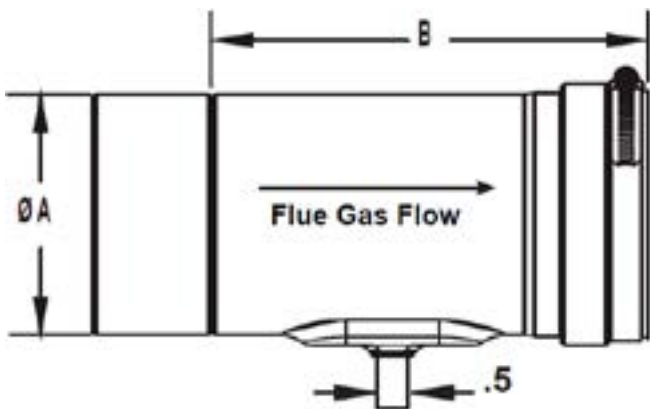
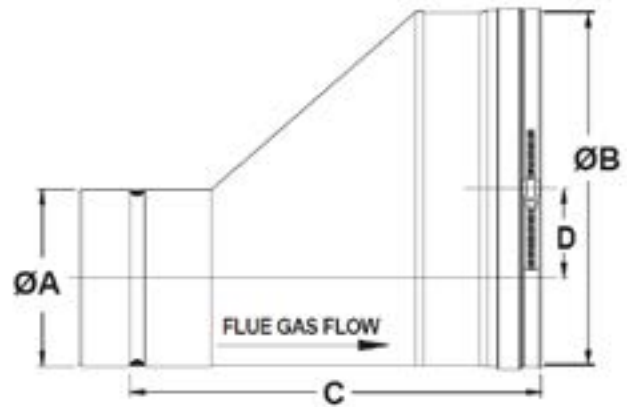
1. Add 0.50" to vent diameter to obtain gear clamp outside diameter.
2. Z-Vent® parts included in this document are common to Z-VentBLU®.

Z-VentBLU® Single Wall

Eccentric Increaser

A	B	C	D	Part Number	Description
2.4	3	9.25	0.31	2ZB2.413	Z-VentBLU Eccentric Increaser 2.4 to 4 in
3	4	9.25	0.50	2ZB314	Z-VentBLU Eccentric Increaser 3 to 4 in

Used to up-size a vent system

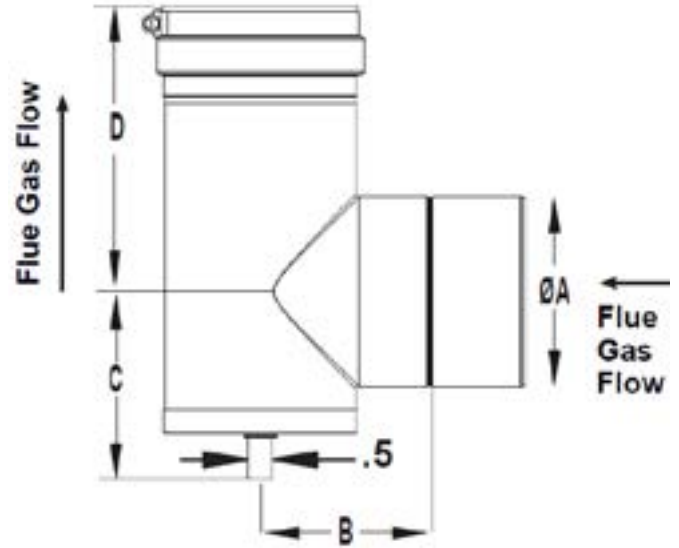


Horizontal Drain

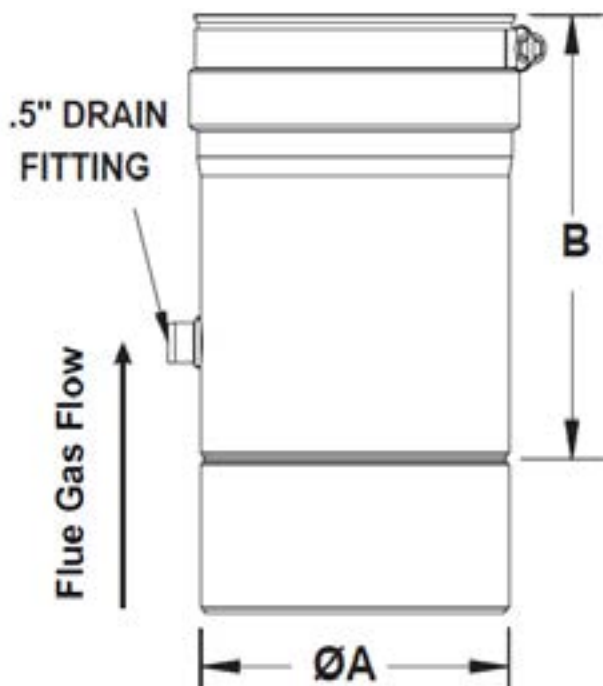
A	B	Part Number	Description
4	7.25	2ZB4HD	Z-VentBLU Horizontal Drain 4 in

Drain Tee with Cap

A	B	C	D	Part Number	Description
3	3.0	3.5	6.25	2ZB3DT	Z-VentBLU Drain Tee w/Cap 3 in
4	3.5	4.0	6.25	2ZB4DT	Z-VentBLU Drain Tee w/Cap 4 in



Used to drain condensate from the Vent system. High temperature Drain Tube kit sold separately.



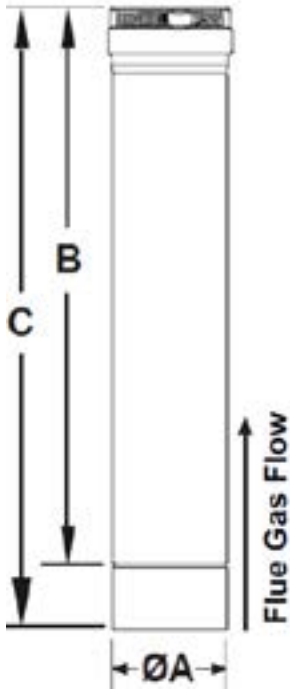
Drain Horizontal / Vertical

A	B	Part Number	Description
2.4	5.75	2ZB2.4DHV	Z-VentBLU Drain Horizontal/Vertical 2.4"
3	5.75	2ZB3DHV	Z-VentBLU Drain Horizontal/Vertical 3"
4	5.75	2ZB4DHV	Z-VentBLU Drain Horizontal/Vertical 4"

Z-VentBLU® Single Wall

Available in diameters 2.4in to 4in and standard lengths up to 5ft & 10ft. Pipe can be cut to length. The female end of each Z-VentBLU® component incorporates a *Double Fail Safe™* self sealing gasket. Examine all components to ensure that gasket integrity has remained during shipping. Gaskets must be in proper position or flue gases could leak resulting in carbon monoxide poisoning. The installation shall be in accordance with the manufacturer's installation instructions.

Pipe

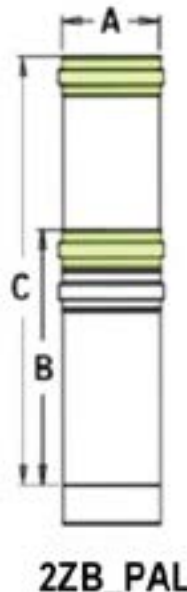


A	B	C	Part Number	Description	A	B	C	Part Number	Description		
2.4in	4.00	5.75	2ZB2.4P.5	Z-VentBLU Pipe 2.4in x 6in	4in	3.75	5.75	2ZB4P.5	Z-VentBLU Pipe 4in x 6in		
	10.00	11.75	2ZB2.4P1	Z-VentBLU Pipe 2.4in x 1ft		9.75	11.75	2ZB4P1	Z-VentBLU Pipe 4in x 1ft		
	16.00	17.75	2ZB2.4P1.5	Z-VentBLU Pipe 2.4in x 1.5ft		15.75	17.75	2ZB4P1.5	Z-VentBLU Pipe 4in x 1.5ft		
	22.00	23.75	2ZB2.4P2	Z-VentBLU Pipe 2.4in x 2ft		21.75	23.75	2ZB4P2	Z-VentBLU Pipe 4in x 2ft		
	34.00	35.75	2ZB2.4P3	Z-VentBLU Pipe 2.4in x 3ft		33.75	35.75	2ZB4P3	Z-VentBLU Pipe 4in x 3ft		
	46.00	47.75	2ZB2.4P4	Z-VentBLU Pipe 2.4in x 4ft		45.75	47.75	2ZB4P4	Z-VentBLU Pipe 4in x 4ft		
	58.00	59.75	2ZB2.4P5	Z-VentBLU Pipe 2.4in x 5ft		57.75	59.75	2ZB4P5	Z-VentBLU Pipe 4in x 5ft		
	118.00	119.75	2ZB2.4P10	Z-VentBLU Pipe 2.4in x 10ft		117.75	119.75	2ZB4P10	Z-VentBLU Pipe 4in x 10ft		
	3in	3.75	5.75	2ZB3P.5		Z-VentBLU Pipe 3in x 6in					
		9.75	11.75	2ZB3P1		Z-VentBLU Pipe 3in x 1ft					
15.75		17.75	2ZB3P1.5	Z-VentBLU Pipe 3in x 1.5ft							
21.75		23.75	2ZB3P2	Z-VentBLU Pipe 3in x 2ft							
33.75		35.75	2ZB3P3	Z-VentBLU Pipe 3in x 3ft							
45.75		47.75	2ZB3P4	Z-VentBLU Pipe 3in x 4ft							
57.75		59.75	2ZB3P5	Z-VentBLU Pipe 3in x 5ft							
117.75		119.75	2ZB3P10	Z-VentBLU Pipe 3in x 10ft							

Pipe Adjustable

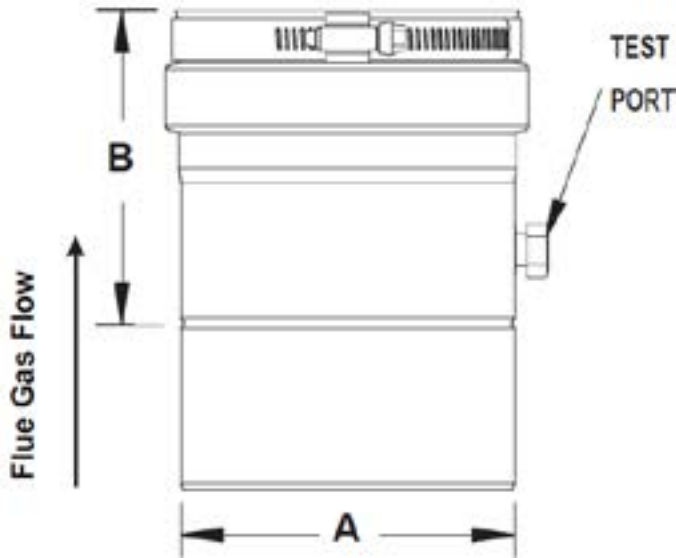
The use of adjustable pipe may be required when the system must be located within extremely tight installation parameters.

A	B	C	Part Number	Description
2.4	13	21.9	2ZB2.4PAL	Z-VentBLU Pipe Adjustable 2.4in
3	13	21.9	2ZB3PAL	Z-VentBLU Pipe Adjustable 3 in
4	13	21.9	2ZB4PAL	Z-VentBLU Pipe Adjustable 4 in



Single Wall Z-VentBLU®

Vent length with test port allows easy access for flue gas analysis.



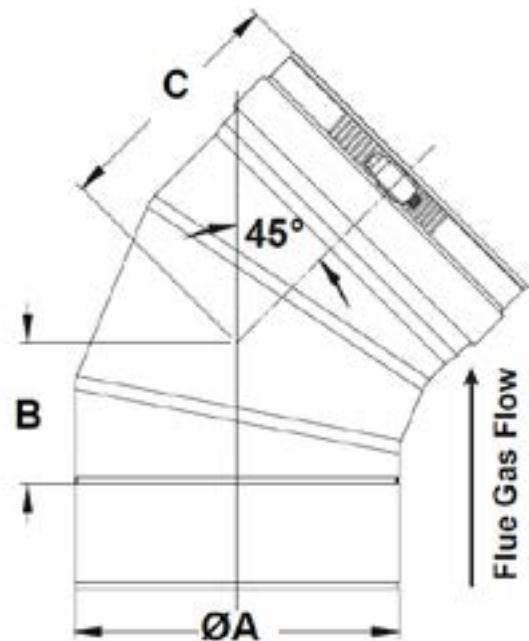
Pipe with Test Port

A	B	Part Number	Description
2.4	4.00	2ZB2.4PTP5	Z-VentBLU Pipe w/Test Port 2.4 in
3	3.75	2ZB3PTP.5	Z-VentBLU Pipe w/Test Port 3 in
4	3.75	2ZB4PTP.5	Z-VentBLU Pipe w/Test Port 4 in

Elbow 45°

A	B	C	Part Number	Description
2.4	1.82	3.32	2ZB2.4E45	Z-VentBLU Elbow 45° X 2.4 in
3	1.62	3.37	2ZB3E45	Z-VentBLU Elbow 45° X 3 in
4	1.83	3.58	2ZB4E45	Z-VentBLU Elbow 45° X 4 in

45° elbow is used when a direction change or offset is required.

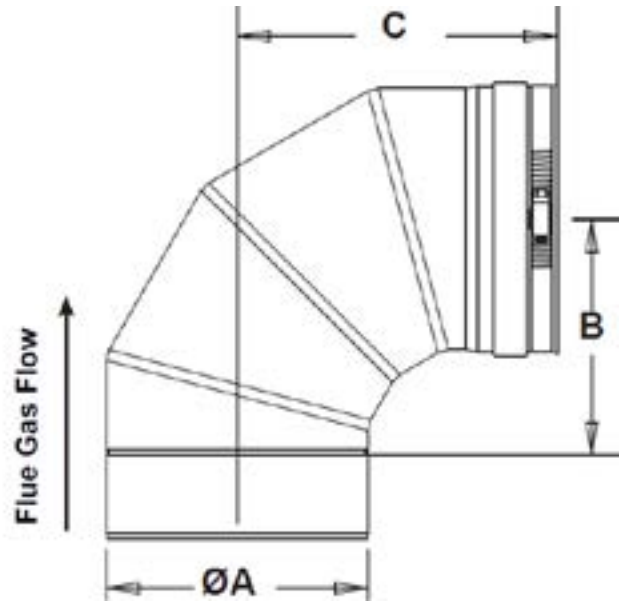


Z-VentBLU® Single Wall

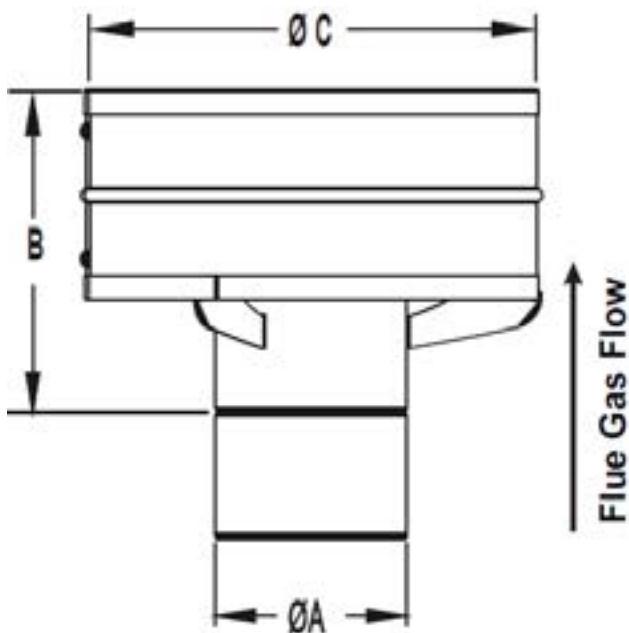
Elbow 90°

A	B	C	Part Number	Description
2.4	3.98	5.52	2ZB2.4E90	Z-VentBLU Elbow 90° X 2.4 in
3	4.72	6.18	2ZB3E90	Z-VentBLU Elbow 90° X 3 in
4	5.22	6.66	2ZB4E90	Z-VentBLU Elbow 90° X 4 in

90° elbow is used when a direction change or offset is required.



Rain cap is designed to terminate a vertical stack and prevent the entrance of debris or rain into the vent.

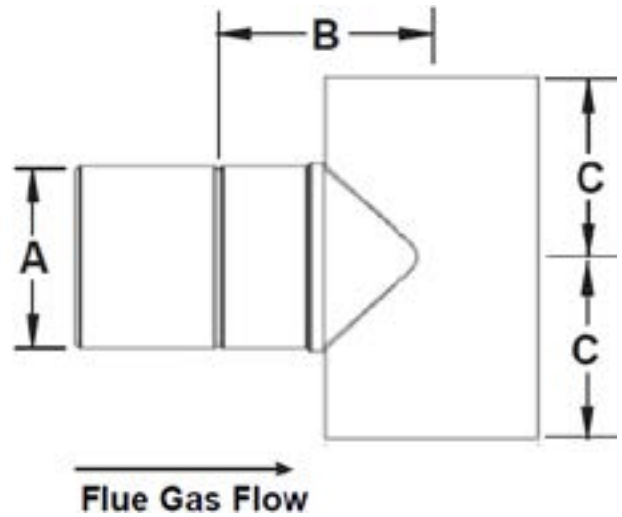


Rain Cap Band Extreme

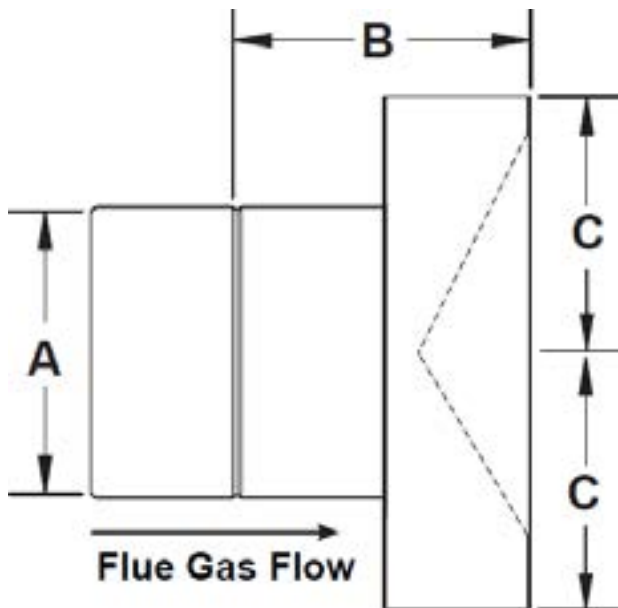
A	B	C	Part Number	Description
2.4	5	7	2ZB2.4TRCBE	Z-VentBLU Rain Cap Band Extreme 2.4 in
3	5	7	2ZB3TRCBE	Z-VentBLU Rain Cap Band Extreme 3 in
4	5	8	2ZB4TRCBE	Z-VentBLU Rain Cap Band Extreme 4 in

Termination Tee

A	B	C	Part Number	Description
3	3.05	3	2ZB3TT	Z-VentBLU Termination Tee 3 in
4	2.75	3.5	2ZB4TT	Z-VentBLU Termination Tee 4 in



A wall termination is used to terminate a horizontal vent. The special design resists winds from affecting flue gas flow.



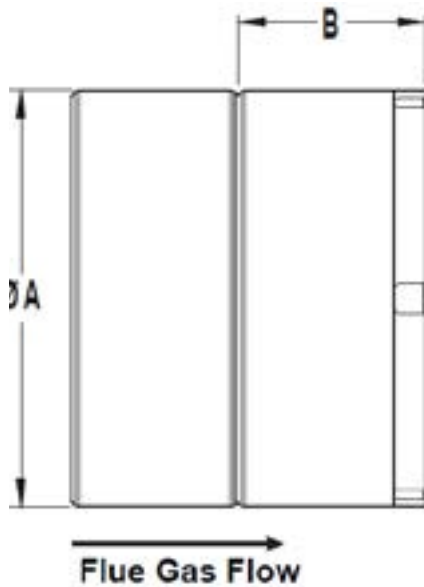
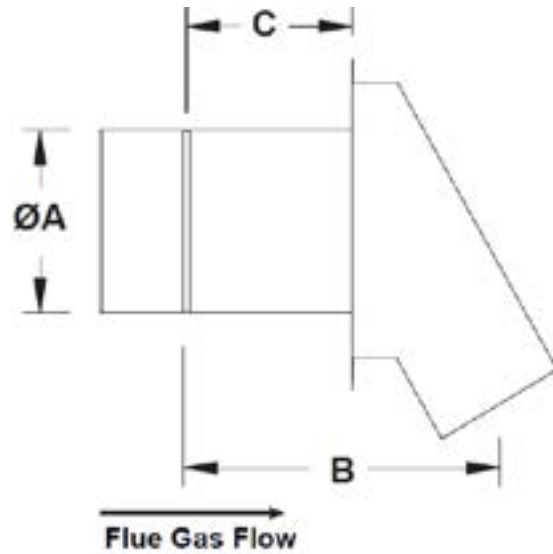
Termination Box

A	B	C	Part Number	Description
2.4	3	2.5	2ZB2.4TB	Z-VentBLU Termination Box 2.4 in
3	3	2.5	2ZB3TB	Z-VentBLU Termination Box 3 in
4	3	3	2ZB4TB	Z-VentBLU Termination Box 4 in

Z-VentBLU[®] Single Wall

Termination Hood

A	B	C	Part Number	Description
2.4	6.75	3.75	2ZB2.4TH	Z-VentBLU Termination Hood 2.4 in
3	6.75	3.75	2ZB3TH	Z-VentBLU Termination Hood 3 in
4	7.125	3.75	2ZB4TH	Z-VentBLU Termination Hood 4 in



Termination Screen

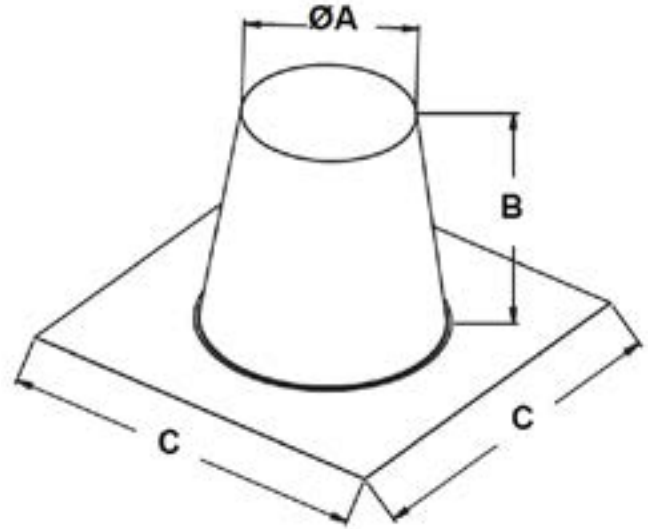
A	B	Part Number	Description
2.4	2	2ZB2.4TS	Z-VentBLU Termination Screen 2.4 in
3	2	2ZB3TS	Z-VentBLU Termination Screen 3 in
4	2	2ZB4TS	Z-VentBLU Termination Screen 4 in

Z-Vent[®] Single Wall & Double Wall

Flashing Flat

A	B	C	Part Number	Description
2.4	12	12.50	2SVSF02.4	Z-Vent Flashing Flat 2.4SW
3	12	12.50	2SVSF03	Z-Vent Flashing Flat 3SW
4	12	14.00	2SVSF04	Z-Vent Flashing Flat 4SW

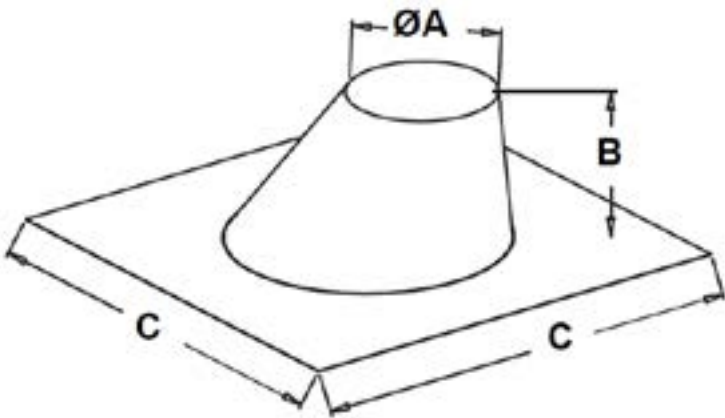
Flat flashing provides weather protection where the vent penetrates the roof or chimney. Use on flat or slightly sloped (5° slope maximum) roofs.



0° - 30° flashing provides weather protection where the vent penetrates the roof. Use on roofs with a pitch from 0° - 30°- 0/12 - 5/12 slope.

Flashing 0-30°

A	B	C	Part Number	Description
2.4	6	16.00	2SVSFA02.4	Z-Vent Flashing 0-30° 2.4SW
3	6	16.00	2SVSADJ(F)03	Z-Vent Flashing 0-30° 3SW
4	6	16.00	2SVSADJ(F)04	Z-Vent Flashing 0-30° 4SW

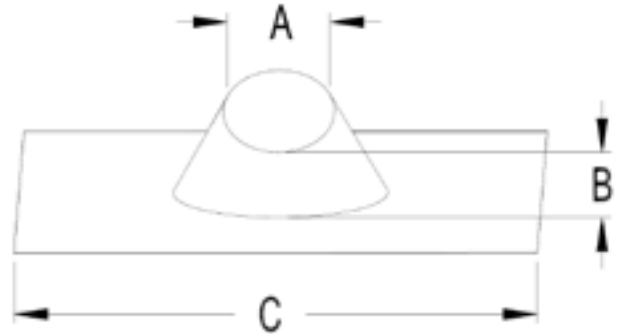


Z-Vent[®] Single Wall & Double Wall

Flashing 30-45°

A	B	Part Number	Description
2.4	6	2SVSADJS02.4	Z-Vent Flashing 30-45° 2.4SW
3	6	2SVSADJS(F)03	Z-Vent Flashing 30-45° 3SW
4	6	2SVSADJS(F)04	Z-Vent Flashing 30-45° 4SW

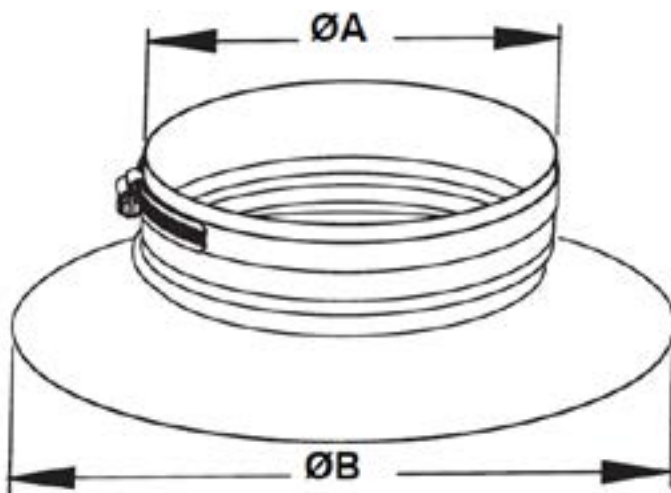
30° - 45° flashing provides weather protection where the vent penetrates the roof. Use on roofs with a pitch from 30° - 45° - 7/12 - 12/12 slope.



For use in conjunction with flashing to provide weather protection. Apply field supplied sealant between vent pipe outside diameter and storm collar inside diameter.

Storm Collar (Top Support)

A	B	Part Number	Description
2.4	6.44	2SVSLS02.4	Z-Vent Storm Collar 2.4SW
3	7.00	2SVSLS(F,X)03	Z-Vent Storm Collar 3SW
4	8.00	2SVSLS(F,X)04	Z-Vent Storm Collar 4SW

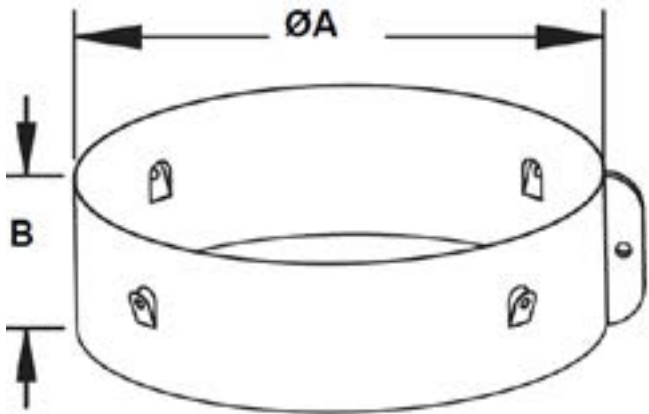


Z-Vent® Single Wall & Double Wall

Guy Band

A	B	Part Number	Description
2.4	3.00	2SVSGB02.4	Z-Vent Guy Band 2.4SW
3	3.00	2SVSGB03	Z-Vent Guy Band 3SW
4	3.00	2SVSGB04	Z-Vent Guy Band 4SW

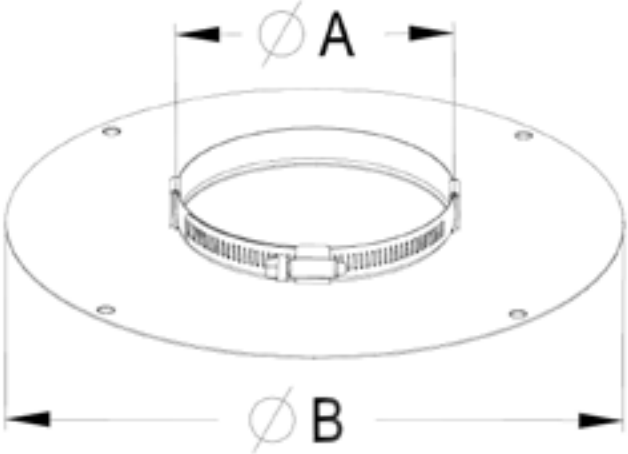
A guy band is used to stabilize the vent above the roof line or where a vent support can not be used. Secure with 4 guy wires (not included).



For use to finish a wall and provide weather protection. Apply field supplied sealant between vent pipe outside diameter/trim ring inside diameter and wall/trim ring outside diameter.

(Wall) Trim Ring

A	B	Part Number	Description
3	7.00	2SVSTR03	Z-Vent Trim Ring 3SW
4	8.00	2SVSTR04	Z-Vent Trim Ring 4SW

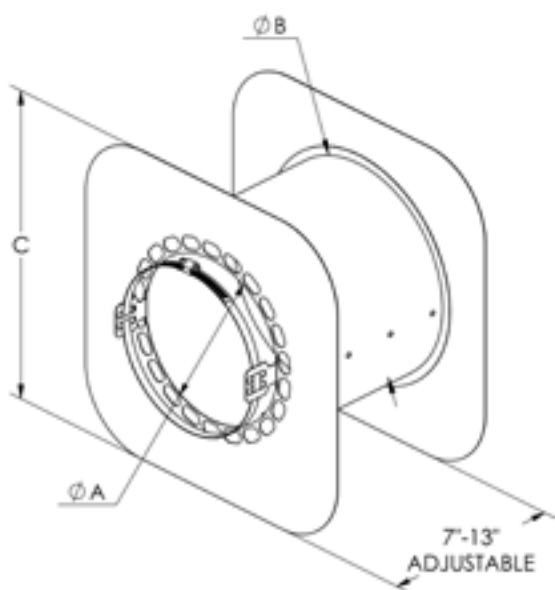
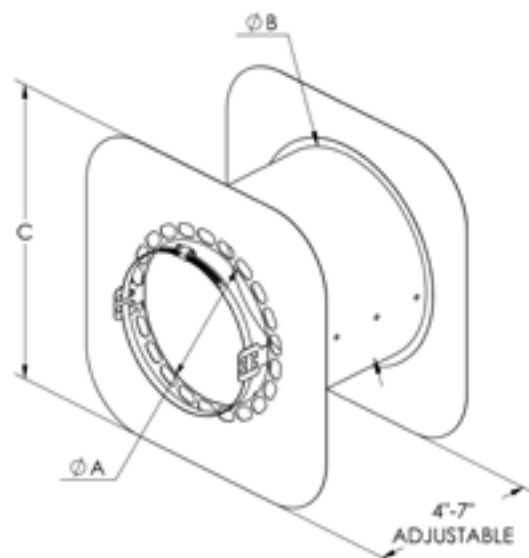


Z-Vent[®] Single Wall & Double Wall

Wall Thimble

A Inlet Dia	A Outlet Dia	B Thimble Dia	C Sq. plate	Part Number	Description
2.99	2.53	4.35	7.4	2SVWT02.4	Z-Vent 47 Wall Thimble 2.4 SW
3.63	3.13	5	8	2SVWT03	Z-Vent 4-7 Wall Thimble 3 SW
4.63	4.13	6	9	2SVWT04	Z-Vent 4-7 Wall Thimble 4 SW

For use when the vent passes through a horizontal opening. Not required for non-combustible walls.



Wall Thimble

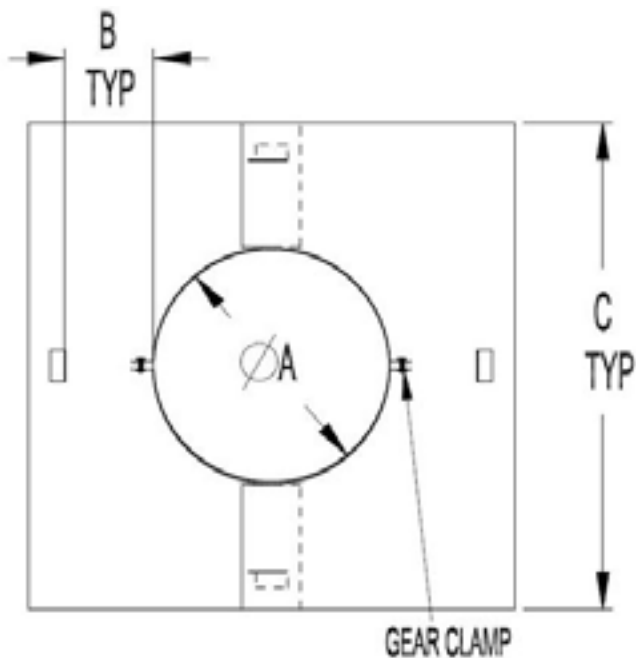
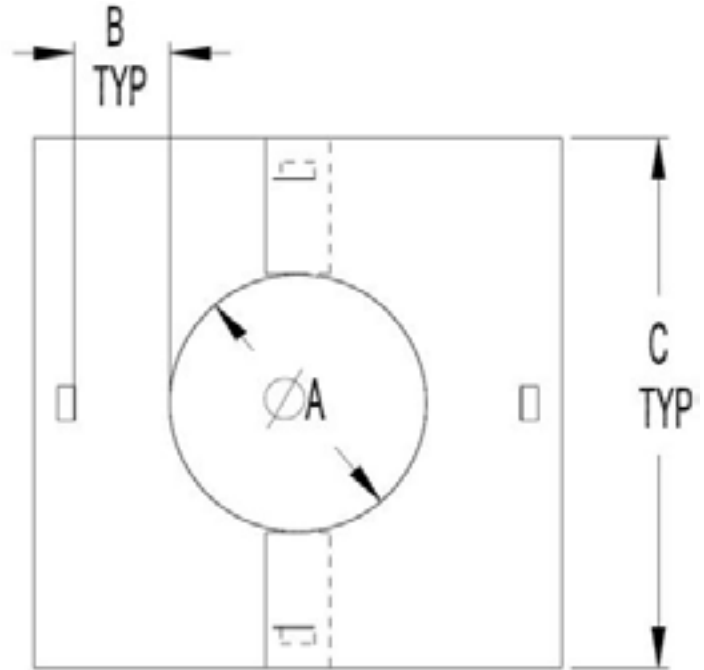
A Inlet Dia	A Outlet Dia	B Thimble Dia	C Sq. plate	Part Number	Description
2.99	3.13	4.35	7.4	2SVWTM02.4	Z-Vent 7-13 Wall Thimble 2.4 SW
3.63	3.13	5	8	2SVWTM03	Z-Vent 7-13 Wall Thimble 3 SW
4.63	4.13	6	9	2SVWTM04	Z-Vent 7-13 Wall Thimble 4 SW

Z-Vent[®] Single Wall & Double Wall

Firestop

A	B	C	Part Number	Description
2.5	4	16	2ZVFS02.4	Z-Vent Firestop 2 Piece 2.4 SW
3.1	4	16	2ZVFS03	Z-Vent Firestop 2 Piece 3 SW
4.1	4	17	2ZVFS04	Z-Vent Firestop 2 Piece 4 SW

A firestop is used on vertical systems to provide firestop or firestop/support and maintain the necessary clearance to combustible materials.



Firestop Support

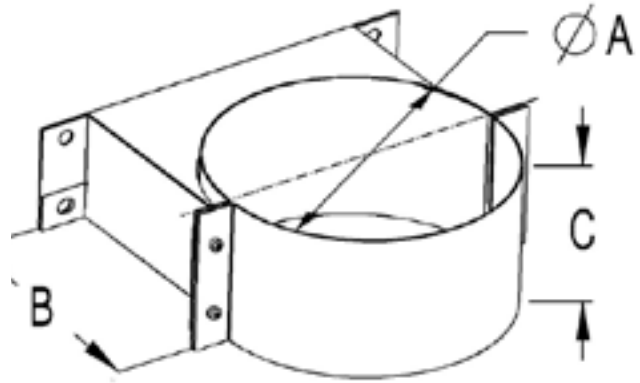
A	B	C	Part Number	Description
2.5	4	16	2ZVFSS02.4	Z-Vent Firestop Support 2 Piece 2.4 SW
3.1	4	16	2ZVFSS03	Z-Vent Firestop Support 2 Piece 3 SW
4.1	4	17	2ZVFSS04	Z-Vent Firestop Support 2 Piece 4 SW

Z-Vent[®] Single Wall & Double Wall

Wall (Vent) Support

A	B	C	Part Number	Description
2.4	2.2	3	2SVSWS02.4	Z-Vent Single Wall Support 2.4SW
3	2.5	3	2SVSWS03	Z-Vent Single Wall Support 3SW
4	3.0	3	2SVSWS04	Z-Vent Single Wall Support 4SW

Z-VentBLU wall (vent) support is used to provide support to the vent system while maintaining proper clearance to combustible materials.



Z-FLEX® LIMITED LIFETIME WARRANTY

Z-FLEX® (“Seller”) extends the following LIMITED WARRANTY for Z-VentBLU® (the “Z-VentBLU®”): Seller warrants that at the time of purchase, the Z-VentBLU® will be free of manufacturers defects in material and/or workmanship. This warranty shall extend to the original purchaser of the Z-VentBLU® or, if purchased by a contractor, to the end user. This warranty is valid for a period of ten (10) years from the date of purchase, provided that the Z-VentBLU® has been installed according to Z-Flex® installation instructions. Deviating from the installation and use instructions included with the Z-VentBLU® will void the warranty. Under this Limited Warranty, Seller’s sole responsibility and liability shall be to replace the Z-VentBLU® and/or accessories, if found by Seller to be defective according to the terms of the warranty, and shall not include replacement installation or other costs.

IMPORTANT: The Z-VentBLU® is designed for use with Category I, II, III and IV furnace and boiler venting and should not be used with any other type of furnace and boiler venting. Use of the Z-VentBLU® with any other type of furnace and boiler venting other than those recommended by Seller for use with its Z-VentBLU® will void the warranty.

WARNING: CONDENSATION WITH HIGH ACID CONTENT MAY BE PRODUCED DUE TO UNFORESEEN CONDITIONS. YOUR HEATING APPLIANCE AND VENTING SYSTEM SHOULD BE INSPECTED BY A LICENSED CONTRACTOR ON AN ANNUAL BASIS FOR POSSIBLE SIGNS OF DETERIORATION DUE TO RUSTING OR PIN HOLES. CONDENSATION WITH HIGH ACID CONTENT MAY CAUSE LEAKAGE OF HARMFUL GASES WHICH CAN CAUSE NAUSEA, FAINTING OR DEATH. IF DETERIORATION IS DETECTED CEASE USE OF HEATING SYSTEM AND CALL FURNACE/BOILER INSTALLER FOR REMEDIAL ACTION.

Please note: Different manufacturers have different joint systems and adhesives. Do not mix pipe, fittings or joining methods from different manufacturers without an approved adaptor, as doing so will void any and all warranties.

To activate the warranty, the end-user must complete and return the Z-Flex® Warranty Registration Card within ninety (90) days of installation of the Z-VentBLU®. Upon written notice of any defects, Z-Flex® reserves the right to examine or establish reasonable proof of defective material or workmanship justifying replacement.

NO OTHER EXPRESS WARRANTY HAS BEEN MADE OR WILL BE MADE ON BEHALF OF SELLER WITH RESPECT TO THE Z-VentBLU® OR THE INSTALLATION OR REPLACEMENT OF THE Z-VentBLU®. SELLER SHALL NOT BE LIABLE FOR ANY SPECIAL, INCIDENTAL, INDIRECT OR CONSEQUENTIAL DAMAGES.

As some jurisdictions do not allow the exclusion or limitation of incidental or consequential damages, the above limitations or exclusions may not apply to you.

IMPLIED WARRANTIES, INCLUDING ANY WARRANTY OF MERCHANTABILITY OR FITNESS FOR A PARTICULAR PURPOSE, IMPOSED ON THIS SALE UNDER STATE LAW, ARE LIMITED TO THE PERIOD DURING WHICH THIS WARRANTY IS IN EFFECT. AS SOME JURISDICTIONS DO NOT ALLOW LIMITATIONS ON THE LENGTH OF AN IMPLIED WARRANTY, THE ABOVE LIMITATION MAY NOT APPLY TO YOU.

Claims under this warranty must be made within the warranty period in writing and directed to:

USA:

Warranty Claims
Z-Flex®(US) Inc. 20 Commerce Park North
Bedford, New Hampshire 03110
(603) 669-5136 or (800) 654-5600.

Canada:

Warranty Claims
Z-Flex® Inc. 452 Attwell Drive
Etobicoke, ON M9W 5C3
(416) 679-0045

This warranty gives you specific legal rights, and you may also have other rights that vary in different states and provinces.



WARRANTY REGISTRATION CARD: Z-FLEX®

For this warranty to be effective, this card must be completed upon purchase of the covered Z-VentBLU® and returned to Z-Flex® within ninety (90) days of installation of the Z-VentBLU®.

Original end-user’s name: _____

Address of premises in which the Z-VentBLU® is installed: _____

Z-VentBLU® purchased from: _____

Date of Installation: _____

Type of Heating System into which Z-VentBLU® installed: _____

I understand and agree to the Warranty as stated: _____

Signature _____

Date _____





20 Commerce Park North
Bedford, New Hampshire 03110-6911
tel: 603.669.5136 fax: 603.669.0309

452 Attwell Drive
Etobicoke, ON M9W 5C3
tel: 416.679.0045 fax: 416.679.0051

www.z-flex.com email sales@z-flex.com